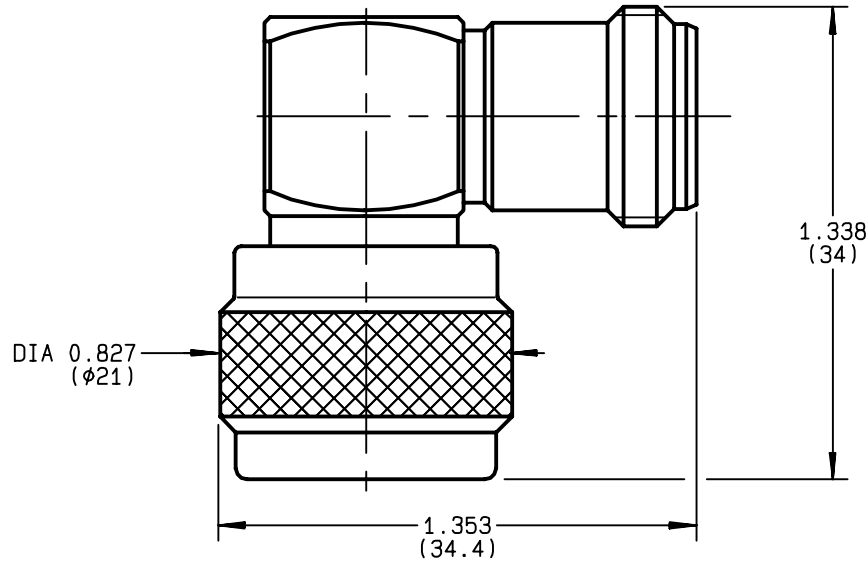


MALE-FEMALE RIGHT ANGLE ADAPTOR

R161.771.000
SERIES N



NOMINAL IMPEDANCE	50 Ω	CABLES :		
FREQUENCY RANGE	0-11 GHz			
TEMPERATURE RATING	-55/+155 °C			
V.S.W.R	1.05* + .03 x F(GHz)Maxi			
RF INSERTION LOSS	0.10 √F(GHz) dB Maxi			
VOLTAGE RATING	1400 Veff Maxi			
DIELECTRIC WITHSTANDING VOLTAGE	2500 Veff Mini			
INSULATION RESISTANCE	5000 MΩMini		OTHERS CHARACTERISTICS	
HERMETIC SEAL	NA Atm.cm ³ /s		CABLE RETENTION	NA N Mini
LEAKAGE (pressurized only)	NA		CENTER CONTACT RETENTION	
MECHANICAL DURABILITY	500 Cycles	Axial force - mating end	27 N Mini	
WEIGHT	54 gr	Axial force - opposite end	27 N Mini	
SPECIFICATION		Torque	NA cm.N Mini	
	* 0-9 GHz	RECOMMENDED TORQUES		
	LEA 03COAN08	Mating	130 cm.N	
		Panel nut	NA cm.N	
		Clamp nut	NA cm.N	

CONNECTOR PARTS	MATERIALS	FINISH	(all values are given) in micrometers
BODY	BRASS	BBR 2	
OUTER CONTACT	BRASS	BBR 2	
CENTER CONTACT	BERYLLIUM COPPER	GOLD 0.5 OVER NICKEL 2	
INSULATOR	PTFE	-	
GASKET	SILICONE RUBBER	-	
OTHERS PIECES	BRASS	BBR 2	

ISSUE	CREATION DATE	FILE PART-NUMBER
9813C02	14/04/1980	EPC 96-07



BONOMINI

The information given here is subject to change without notice.
 Design changes may be in order to improve the product .

Connect to the future